



# Bidiagonal factorization of tetradiagonal matrices and Darboux transformations

Amílcar Branquinho<sup>1</sup> · Ana Foulquié-Moreno<sup>2</sup> · Manuel Mañas<sup>3,4</sup>

Received: 10 January 2023 / Revised: 12 January 2023 / Accepted: 16 March 2023  
© The Author(s) 2023

## Abstract

Recently a spectral Favard theorem for bounded banded lower Hessenberg matrices that admit a positive bidiagonal factorization was presented. These type of matrices are oscillatory. In this paper the Lima–Loureiro hypergeometric multiple orthogonal polynomials and the Jacobi–Piñeiro multiple orthogonal polynomials are discussed at the light of this bidiagonal factorization for tetradiagonal matrices. The Darboux transformations of tetradiagonal Hessenberg matrices is studied and Christoffel formulas for the elements of the bidiagonal factorization are given, i.e., the bidiagonal factorization is given in terms of the recursion polynomials evaluated at the origin.

**Keywords** Tetradiagonal Hessenberg matrices · Oscillatory matrices · Totally nonnegative matrices · Multiple orthogonal polynomials · Favard spectral representation · Darboux transformations · Christoffel formulas

**Mathematics Subject Classification** 42C05 · 33C45 · 33C47

---

✉ Manuel Mañas  
manuel.manas@ucm.es

Amílcar Branquinho  
ajplb@mat.uc.pt

Ana Foulquié-Moreno  
foulquie@ua.pt

<sup>1</sup> CMUC, Departamento de Matemática, Universidade de Coimbra, 3001-454 Coimbra, Portugal

<sup>2</sup> CIDMA, Departamento de Matemática, Universidade de Aveiro, 3810-193 Aveiro, Portugal

<sup>3</sup> Departamento de Física Teórica, Universidad Complutense de Madrid, Plaza Ciencias 1, 28040 Madrid, Spain

<sup>4</sup> Instituto de Ciencias Matematicas (ICMAT), Campus de Cantoblanco UAM, 28049 Madrid, Spain

### 1 Introduction

In this paper we will analyze some aspects for the tetradiagonal Hessenberg matrix of the form

$$T = \begin{bmatrix} c_0 & 1 & 0 & \dots & \dots & \dots \\ b_1 & c_1 & 1 & \dots & \dots & \dots \\ a_2 & b_2 & c_2 & 1 & \dots & \dots \\ 0 & a_3 & b_3 & c_3 & 1 & \dots \\ \vdots & \vdots & \vdots & \vdots & \vdots & \ddots \end{bmatrix}, \tag{1}$$

where we assume that  $a_n > 0$ , and its bidiagonal factorization

$$T = L_1 L_2 U, \tag{2}$$

with bidiagonal matrices given by

$$L_1 = \begin{bmatrix} 1 & 0 & 0 & \dots & \dots & \dots \\ \alpha_2 & 1 & 0 & \dots & \dots & \dots \\ 0 & \alpha_5 & 1 & \dots & \dots & \dots \\ \vdots & \vdots & \vdots & \ddots & \ddots & \ddots \end{bmatrix}, \quad L_2 = \begin{bmatrix} 1 & 0 & 0 & \dots & \dots & \dots \\ \alpha_3 & 1 & 0 & \dots & \dots & \dots \\ 0 & \alpha_6 & 1 & \dots & \dots & \dots \\ \vdots & \vdots & \vdots & \ddots & \ddots & \ddots \end{bmatrix}, \quad U = \begin{bmatrix} \alpha_1 & 1 & 0 & \dots & \dots & \dots \\ 0 & \alpha_4 & 1 & \dots & \dots & \dots \\ 0 & 0 & \alpha_7 & \dots & \dots & \dots \\ \vdots & \vdots & \vdots & \ddots & \ddots & \ddots \end{bmatrix}. \tag{3}$$

If the requirement

$$\alpha_j > 0, \quad j \in \mathbb{N},$$

is fulfilled, we say that we have a *positive bidiagonal factorization* (PBF). In [5], this factorization was shown to be the key for a Favard theorem for bounded banded Hessenberg semi-infinite matrices and the existence of positive measures such that the recursion polynomials are multiple orthogonal polynomials and the Hessenberg matrix is the recursion matrix from this set of multiple orthogonal polynomials. We also gave a multiple Gauss quadrature together with explicit degrees of precision. Then, in [6] we studied for the tetradiagonal case when such PBF, in terms of continued fractions, for oscillatory matrices exists. Oscillatory tetradiagonal Toeplitz matrices were shown to admits a PBF. Moreover, it was proven that oscillatory banded Hessenberg matrices are organized in rays, with the origin of the ray not having the positive bidiagonal factorization and all the interior points of the ray having such positive bidiagonal factorization.

In the next section of this paper we succinctly discuss two cases that appear in the literature, the Jacobi–Piñeiro [11, 16] and the hypergeometric [3, 12] families. In the final section, the Darboux and Christoffel transformations [4] are connected with the PBF factorization, the coefficients  $\alpha$  in the PBF are reconstructed in terms of the values

of the type II and I polynomials at 0, see Theorem 2 and the Darboux transformations are discussed at the light of the spectral Christoffel perturbations [1], see Theorem 3.

### 1.1 Preliminary material

For multiple orthogonal polynomials see [1, 11, 14].

Let us denote by  $T^{[N]} = T[\{0, 1, \dots, N\}] \in \mathbb{R}^{(N+1) \times (N+1)}$  the  $(N + 1)$ -th leading principal submatrix of the banded Hessenberg matrix  $T$ :

$$T^{[N]} := \begin{bmatrix} c_0 & 1 & 0 & \dots & \dots & \dots & 0 \\ b_1 & c_1 & 1 & \dots & \dots & \dots & \vdots \\ a_2 & b_2 & c_2 & 1 & \dots & \dots & \vdots \\ 0 & a_3 & b_3 & c_3 & 1 & \dots & \vdots \\ \vdots & \vdots & \vdots & \vdots & \vdots & \ddots & \vdots \\ 0 & \dots & \dots & a_{N-1} & b_{N-1} & c_{N-1} & 1 \\ 0 & \dots & \dots & \dots & 0 & a_N & b_N & c_N \end{bmatrix}. \tag{4}$$

**Definition 1** (*Recursion polynomials of type II*) The type II recursion vector of polynomials

$$B(x) = \begin{bmatrix} B_0(x) \\ B_1(x) \\ \vdots \end{bmatrix}, \quad \deg B_n = n,$$

is determined by the following eigenvalue equation

$$TB(x) = xB(x). \tag{5}$$

Uniqueness is ensured by taking as initial condition  $B_0 = 1$ . We call the components  $B_n$  type II recursion polynomials. One obtains that  $B_1 = x - c_0$ ,  $B_2 = (x - c_0)(x - c_1) - b_1$ , and higher degree recursion polynomials are constructed by means of the 4-term recurrence relation

$$B_{n+1} = (x - c_n)B_n - b_n B_{n-1} - a_n B_{n-2}, \quad n \in \{2, 3, \dots\}. \tag{6}$$

**Definition 2** (*Recursion polynomials of type I*) Dual to the polynomial vector  $B(x)$  we consider the two following polynomial dual vectors

$$A^{(1)}(x) = \left[ A_0^{(1)}(x) \ A_1^{(1)}(x) \ \dots \right], \quad A^{(2)}(x) = \left[ A_0^{(2)}(x) \ A_1^{(2)}(x) \ \dots \right],$$

that are left eigenvectors of the semi-infinite matrix  $J$ , i.e.,

$$A^{(1)}(x)T = xA^{(1)}(x), \quad A^{(2)}(x)T = xA^{(2)}(x).$$

The initial conditions, that determine these polynomials uniquely, are taken as

$$A_0^{(1)} = 1, \quad A_1^{(1)} = \nu, \quad A_0^{(2)} = 0, \quad A_1^{(2)} = 1,$$

with  $\nu \neq 0$  being an arbitrary constant. Then, from the first relation

$$c_0 A_0^{(a)} + b_1 A_1^{(a)} + a_2 A_2^{(a)} = x A_0^{(a)}, \quad a \in \{1, 2\},$$

we get  $A_2^{(1)} = \frac{x}{a_2} - \frac{c_0 + b_1 \nu}{a_2}$  and  $A_2^{(2)} = -\frac{b_1}{a_2}$ . The other polynomials in these sequences are determined by the following four term recursion relation

$$A_n^{(a)} a_n = -A_{n-1}^{(a)} b_{n-1} + A_{n-2}^{(a)} (x - c_{n-2}) - A_{n-3}^{(a)}, \quad n \in \{3, 4, \dots\}, \quad a \in \{1, 2\}. \tag{7}$$

For example, one finds

$$A_3^{(1)} a_3 = -A_2^{(1)} b_2 + A_1^{(1)} (x - c_1) - A_0^{(1)} = -b_2 \left( \frac{x}{a_2} - \frac{c_0 + b_1 \nu}{a_2} \right) + \nu (x - c_1) - 1,$$

$$A_3^{(2)} a_3 = -A_2^{(2)} b_2 + A_1^{(2)} (x - c_1) - A_0^{(2)} = b_2 \frac{b_1}{a_2} + x - c_1.$$

Second kind polynomials are also relevant in the theory of multiple orthogonality.

**Definition 3** (*Recursion polynomials of type II of the second kind*) Let us consider the recursion relation (6) in the form

$$a_n B_{n-2} + b_n B_{n-1} + c_n B_n + B_{n+1} = x B_n, \tag{8}$$

set  $b_0 = a_0 = a_1 = -1$  and  $n \in \mathbb{N}_0$ . The values, *initial conditions*, for  $B_{-2}, B_{-1}, B_0$  are required to get the values  $B_n$  for  $n \in \mathbb{N}$ . The polynomials of type II correspond to the choice

$$B_{-2} = 0, \quad B_{-1} = 0, \quad B_0 = 1. \tag{9}$$

Two sequences of polynomials of type II of the second kind  $\{B_n^{(1)}\}_{n=0}^\infty$  and  $\{B_n^{(2)}\}_{n=0}^\infty$  are defined by the following initial conditions

$$B_{-2}^{(1)} = 1, \quad B_{-1}^{(1)} = 0, \quad B_0^{(1)} = 0, \tag{10}$$

$$B_{-2}^{(2)} = -1 - \nu, \quad B_{-1}^{(2)} = 1, \quad B_0^{(2)} = 0. \tag{11}$$

**Proposition 1** (Determinantal expressions)

(i) For the recursion polynomials we have the determinantal expressions

$$\begin{aligned}
 B_{N+1} &= \det(xI_{N+1} - T^{[N]}) \\
 &= \begin{vmatrix}
 x - c_0 & -1 & 0 & \dots & 0 \\
 -b_1 & x - c_1 & -1 & & \\
 -a_2 & -b_2 & x - c_2 & -1 & \\
 0 & -a_3 & -b_3 & x - c_3 & -1 \\
 \vdots & \vdots & \vdots & \vdots & \vdots \\
 0 & & & -a_{N-1} & -b_{N-1} & x - c_{N-1} & -1 \\
 0 & & & & -a_N & -b_N & x - c_N
 \end{vmatrix}. \tag{12}
 \end{aligned}$$

Hence, they are the characteristic polynomials of the leading principal submatrices  $T^{[N]}$ .

(ii) For the recursion polynomials of type II of the second kind,  $B_{N+1}^{(1)}$  and  $B_{N+1}^{(2)}$ , we have the following adjugate and determinantal expressions

$$\begin{aligned}
 B_{N+1}^{(1)} &= e_1^\top \text{adj}(xI_{N+1} - T^{[N]})e_1 \\
 &= \begin{vmatrix}
 x - c_1 & -1 & 0 & \dots & 0 \\
 -b_2 & x - c_2 & -1 & & \\
 -a_3 & -b_3 & x - c_3 & -1 & \\
 0 & -a_4 & -b_4 & x - c_4 & -1 \\
 \vdots & \vdots & \vdots & \vdots & \vdots \\
 0 & & & -a_{N-1} & -b_{N-1} & x - c_{N-1} & -1 \\
 0 & & & & -a_N & -b_N & x - c_N
 \end{vmatrix},
 \end{aligned}$$

$$B_{N+1}^{(2)} = e_1^\top \text{adj}(xI_{N+1} - T^{[N]})(e_2 - \nu e_1) = b_{N+1}^{(1)} - \nu B_{N+1}^{(1)},$$

$$\begin{aligned}
 b_{N+1}^{(1)} &= e_1^\top \text{adj}(xI_{N+1} - T^{[N]})e_2 \\
 &= \begin{vmatrix}
 x - c_2 & -1 & 0 & \dots & 0 \\
 -b_3 & x - c_3 & -1 & & \\
 -a_4 & -b_4 & x - c_4 & -1 & \\
 0 & -a_5 & -b_5 & x - c_5 & -1 \\
 \vdots & \vdots & \vdots & \vdots & \vdots \\
 0 & & & -a_{N-1} & -b_{N-1} & x - c_{N-1} & -1 \\
 0 & & & & -a_N & -b_N & x - c_N
 \end{vmatrix}.
 \end{aligned}$$

Finite truncations of this matrices having this positive bidiagonal factorization are oscillatory matrices. In fact, we will be dealing in this paper with totally non negative matrices and oscillatory matrices and, consequently, we require of some definitions and properties that we are about to present succinctly.

Further truncations are, for  $k \in \{0, 1, \dots, N\}$ ,

$$T^{[N,k]} := \begin{bmatrix} c_k & 1 & 0 & \dots & 0 \\ b_{k+1} & c_{k+1} & 1 & \dots & 0 \\ a_{k+2} & b_{k+2} & c_{k+2} & 1 & 0 \\ 0 & a_{k+3} & b_{k+3} & c_{k+3} & 1 \\ \vdots & \vdots & \vdots & \vdots & \vdots \\ 0 & \dots & a_{N-1} & b_{N-1} & c_{N-1} \\ 0 & \dots & 0 & a_N & b_N & c_N \end{bmatrix} \in \mathbb{R}^{(N+1-k) \times (N+1-k)}, \tag{13}$$

$$T^{[N,N+1]} := 1, \tag{14}$$

notice that  $T^{[N]} = T^{[N,0]}$ . Corresponding characteristic polynomials are:

$$B_{N+1}^{[k]} := \begin{vmatrix} x - c_k & -1 & 0 & \dots & 0 \\ -b_{k+1} & x - c_{k+1} & -1 & \dots & 0 \\ -a_{k+2} & -b_{k+2} & x - c_{k+2} & -1 & 0 \\ 0 & -a_{k+3} & -b_{k+3} & x - c_{k+3} & -1 \\ \vdots & \vdots & \vdots & \vdots & \vdots \\ 0 & \dots & -a_{N-1} & -b_{N-1} & x - c_{N-1} \\ 0 & \dots & 0 & -a_N & -b_N & x - c_N \end{vmatrix}, \tag{15}$$

$k \in \{0, 1, \dots, N\}$ .

Totally nonnegative (TN) matrices are those with all their minors nonnegative [8, 9], and the set of nonsingular TN matrices is denoted by InTN. Oscillatory matrices [9] are totally nonnegative, irreducible [10] and nonsingular. Notice that the set of oscillatory matrices is denoted by IITN (irreducible invertible totally nonnegative) in [8]. An oscillatory matrix  $A$  is equivalently defined as a totally nonnegative matrix  $A$  such that for some  $n$  we have that  $A^n$  is totally positive (all minors are positive). From Cauchy–Binet Theorem one can deduce the invariance of these sets of matrices under the usual matrix product. Thus, following [8, Theorem 1.1.2] the product of matrices in InTN is again InTN (similar statements hold for TN or oscillatory matrices). We have the important result:

**Theorem 1** (Gantmacher–Krein Criterion). [9, Chapter 2, Theorem 10]. *A totally nonnegative matrix  $A$  is oscillatory if and only if it is nonsingular and the elements at the first subdiagonal and first superdiagonal are positive.*

The Gauss–Borel factorization of the matrix  $T^{[N]}$  in (4) is the following factorization

$$T^{[N]} = L^{[N]}U^{[N]} \tag{16}$$

with banded triangular matrices given by

$$L^{[N]} = \begin{bmatrix} 1 & 0 & \dots & 0 \\ m_1 & 1 & & \\ \ell_2 & m_2 & 1 & \\ 0 & \ell_3 & m_3 & 1 \\ \vdots & \vdots & \vdots & \vdots \\ 0 & \dots & 0 & \ell_N & m_N & 1 \end{bmatrix}, \quad U^{[N]} = \begin{bmatrix} \alpha_1 & 1 & 0 & \dots & 0 \\ 0 & \alpha_4 & & & \\ \vdots & \vdots & \alpha_7 & & \\ \vdots & \vdots & \vdots & \vdots & 1 \\ 0 & \dots & 0 & \alpha_{3N+1} & \end{bmatrix}.$$

**Proposition 2** *The Gauss–Borel factorization exists if and only if all leading principal minors  $\delta^{[N]}$  of  $T^{[N]}$  are not zero.*

For  $n \in \mathbb{N}$ , the following expressions for the coefficients hold

$$\ell_{n+1} = \frac{a_{n+1}\delta^{[n-2]}}{\delta^{[n-1]}}, \quad m_n = c_n - \frac{\delta^{[n]}}{\delta^{[n-1]}}, \quad \alpha_{3n-2} = \frac{\delta^{[n-1]}}{\delta^{[n-2]}}, \quad (17)$$

where  $\delta^{[-1]} = 1$  and  $a_1 = 0$ , and we have the following recurrence relation for the determinants

$$\delta^{[n]} = a_n\delta^{[n-3]} - b_n\delta^{[n-2]} + c_n\delta^{[n-1]}, \quad (18)$$

is satisfied.

For oscillatory matrices the Gauss–Borel factorization exists and both triangular factors belong to InTN. See [13] for a modern account of the role of Gauss–Borel factorization problem in the realm of standard and non standard orthogonality.

## 2 Hypergeometric and Jacobi–Piñeiro examples

Now we discuss two cases of tetradiagonal Hessenberg matrices that appear as recurrence matrices of two families of multiple orthogonal polynomials. For each of them we consider bidiagonal factorizations and its positivity.

### 2.1 Hypergeometric multiple orthogonal polynomials

In [12] a new set of multiple hypergeometric polynomials were introduced by Lima and Loureiro. The corresponding recursion matrix  $T_{LL}$  was used in [7] to construct stochastic matrices and associated Markov chains beyond birth and death. For the hypergeometric case the  $T_{LL} = L_1L_2U$  bidiagonal factorization is provided in [12, Equations 107–110], that ensures the regular oscillatory character of the matrix  $T_{LL}$  for this hypergeometric case. Notice the correspondence between Lima–Loureiro’s  $\lambda_n$  and our  $\alpha_n$  is  $\lambda_{3n+2} \rightarrow \alpha_{3n+1}$ ,  $\lambda_{3n+1} \rightarrow \alpha_{3n}$  and  $\lambda_{3n} \rightarrow \alpha_{3n-1}$ . These coefficients were gotten in [12] from [15, Theorem 14.5] as the coefficients of a branched-continued-fraction representation for  ${}_3F_2$ . For more on this see the recent paper [17]. This sequence is TP, so that  $T_{LL}$  is a regular oscillatory banded Hessenberg matrix.

### 2.2 Jacobi–Piñeiro multiple orthogonal polynomials

Jacobi–Piñeiro multiple orthogonal polynomials, associated with weights  $w_1 = x^\alpha(1-x)^\gamma$ ,  $w_2 = x^\beta(1-x)^\gamma$  with support on  $[0, 1]$   $\alpha, \beta, \gamma > -1$ ,  $\alpha - \beta \notin \mathbb{Z}$ , is a well study case. This system is an AT system and the corresponding orthogonal polynomials and linear forms interlace its zeros, see [11], even though, as we will discuss now, the recursion matrix  $T_{JP}$  is not oscillatory. The corresponding monic recursion matrix  $T_{JP}$  was considered in [7, Section 4.3] and we show that this recursion matrix was a positive matrix whenever the parameters  $\alpha, \beta$  lay in the strip given by  $|\alpha - \beta| < 1$ .

**Lemma 1** (Jacobi–Piñeiro’s recursion matrix bidiagonal factorization). *The Jacobi–Piñeiro’s recursion matrix has bidiagonal factorizations as in Eq. (2) with at least the following two set of parameters:*

$$\begin{aligned} \alpha_{6n+1} &= \frac{(n+1+\alpha)(2n+1+\alpha+\gamma)(2n+1+\beta+\gamma)}{(3n+1+\alpha+\gamma)(3n+2+\alpha+\gamma)(3n+1+\beta+\gamma)}, \\ \tilde{\alpha}_{6n+1} &= \frac{(n+1+\alpha)(2n+1+\alpha+\gamma)(2n+1+\beta+\gamma)}{(3n+1+\alpha+\gamma)(3n+2+\alpha+\gamma)(3n+1+\beta+\gamma)}, \\ \alpha_{6n+2} &= \frac{n(2n+1+\gamma)(2n+1+\alpha+\gamma)}{(3n+2+\alpha+\gamma)(3n+1+\beta+\gamma)(3n+2+\beta+\gamma)}, \\ \tilde{\alpha}_{6n+2} &= \frac{(n-\alpha+\beta)(2n+1+\gamma)(2n+1+\beta+\gamma)}{(3n+2+\alpha+\gamma)(3n+1+\beta+\gamma)(3n+2+\beta+\gamma)}, \\ \alpha_{6n+3} &= \frac{(n+1)(2n+1+\gamma)(2n+2+\beta+\gamma)}{(3n+2+\alpha+\gamma)(3n+3+\alpha+\gamma)(3n+2+\beta+\gamma)}, \\ \tilde{\alpha}_{6n+3} &= \frac{(n+1+\alpha-\beta)(2n+1+\gamma)(2n+2+\alpha+\gamma)}{(3n+2+\alpha+\gamma)(3n+3+\alpha+\gamma)(3n+2+\beta+\gamma)}, \\ \alpha_{6n+4} &= \frac{(n+1+\beta)(2n+2+\alpha+\gamma)(2n+2+\beta+\gamma)}{(3n+3+\alpha+\gamma)(3n+2+\beta+\gamma)(3n+3+\beta+\gamma)}, \\ \tilde{\alpha}_{6n+4} &= \frac{(n+1+\beta)(2n+2+\alpha+\gamma)(2n+2+\beta+\gamma)}{(3n+3+\alpha+\gamma)(3n+2+\beta+\gamma)(3n+3+\beta+\gamma)}, \\ \alpha_{6n+5} &= \frac{(n+1+\alpha-\beta)(2n+2+\gamma)(2n+2+\alpha+\gamma)}{(3n+3+\alpha+\gamma)(3n+4+\alpha+\gamma)(3n+3+\beta+\gamma)}, \\ \tilde{\alpha}_{6n+5} &= \frac{(n+1)(2n+2+\gamma)(2n+2+\beta+\gamma)}{(3n+3+\alpha+\gamma)(3n+4+\alpha+\gamma)(3n+3+\beta+\gamma)}, \\ \alpha_{6n+6} &= \frac{(n+1-\alpha+\beta)(2n+2+\gamma)(2n+3+\beta+\gamma)}{(3n+4+\alpha+\gamma)(3n+3+\beta+\gamma)(3n+4+\beta+\gamma)}, \\ \tilde{\alpha}_{6n+6} &= \frac{(n+1)(2n+2+\gamma)(2n+3+\alpha+\gamma)}{(3n+4+\alpha+\gamma)(3n+3+\beta+\gamma)(3n+4+\beta+\gamma)}, \end{aligned}$$

here  $n \in \mathbb{N}_0$ .

**Proof** We have  $\alpha_1 = c_0$  and  $m_1$  and  $\alpha_4$  are gotten from  $m_1\alpha_1 = b_1$  and  $m_1+\alpha_4 = c_1$ . Then,  $\ell_n, m_n, \alpha_{3(n-1)+1}, n = 2, 3, \dots$ , are determined recursively according to

$\ell_n \alpha_{3(n-2)+1} = a_n$ ,  $\ell_n + m_n \alpha_{3(n-1)+1} = b_n$  and  $m_n + \alpha_{3n+1} = c_n$  (from the first relation we get  $\ell_n$ , from the second  $m_n$  and from the third  $\alpha_{3(n-1)+1}$ ). Now, these expressions for  $\ell$ 's and  $m$ 's lead to the remaining  $\alpha$ 's. Indeed, we have  $\alpha_2 + \alpha_3 = m_1$  and  $\alpha_5 \alpha_3 = \ell_2$  (we get  $\alpha_3$  and  $\alpha_5$ , respectively) and then we apply the recursion,  $n \in \mathbb{N}$ ,  $\alpha_{3n+2} + \alpha_{3(n+1)} = m_{n+1}$ ,  $\alpha_{3(n+1)+2} \alpha_{3(n+1)} = \ell_{n+2}$  (in each iteration we obtain  $\alpha_{3(n+1)}$  and  $\alpha_{3(n+1)+2}$ , respectively).  $\square$

**Remark 1** The bidiagonal factorization  $\{\tilde{\alpha}_n\}_{n=1}^\infty$  was found in [2, Section 8.1], that is why we refer to it as the Aptekarev-Kalyagin-Van Iseghem (AKV) bidiagonal factorization.

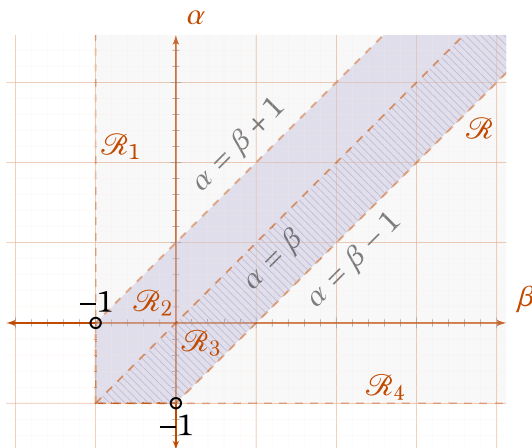
For  $n \in \mathbb{N}_0$ , given these two bidiagonal factorizations, the entries of the corresponding lower unitriangular factor  $L = L_1 L_2 = \tilde{L}_1 \tilde{L}_2$  of the lower factor  $L$  in the Gauss–Borel factorization of the Jacobi–Piñeiro’s Hessenberg transition matrix, can be expressed in the following two manners

$$\begin{cases} m_{2n+1} = \alpha_{6n+2} + \alpha_{6n+3} = \tilde{\alpha}_{6n+2} + \tilde{\alpha}_{6n+3}, & m_{2n+2} = \alpha_{6n+5} + \alpha_{6n+6} = \tilde{\alpha}_{6n+5} + \tilde{\alpha}_{6n+6}, \\ \ell_{2n+2} = \alpha_{6n+5} \alpha_{6n+3} = \tilde{\alpha}_{6n+5} \tilde{\alpha}_{6n+3}, & \ell_{2n+3} = \alpha_{6n+8} \alpha_{6n+6} = \tilde{\alpha}_{6n+8} \tilde{\alpha}_{6n+6}. \end{cases} \tag{19}$$

To better understand the dependence on the set of Jacobi–Piñeiro’s parameters  $(\alpha, \beta)$  we define some regions in the plane. Let us denote by  $\mathcal{R} := \{(\alpha, \beta) \in \mathbb{R}^2, \alpha, \beta > -1, \alpha - \beta \notin \mathbb{Z}\}$ , that we call the natural region –where the orthogonality is well defined, and divide it in the following four regions:

$$\begin{aligned} \mathcal{R}_1 &:= \{(\alpha, \beta) \in \mathcal{R} : \alpha - \beta > 1\}, & \mathcal{R}_2 &:= \{(\alpha, \beta) \in \mathcal{R} : 0 < \alpha - \beta < 1\}, \\ \mathcal{R}_3 &:= \{(\alpha, \beta) \in \mathcal{R} : -1 < \alpha - \beta < 0\}, & \mathcal{R}_4 &:= \{(\alpha, \beta) \in \mathcal{R} : \alpha - \beta < -1\}. \end{aligned}$$

We show these regions in the following figure



**Different parameter regions for Jacobi–Piñeiro**

**Lemma 2** (i) For the sequence  $\{\alpha_n\}_{n \in \mathbb{N}}$  of the first bidiagonal factorization, we have

- (a) In the region  $\mathcal{R}$  the sequence is TN but for  $\alpha_5$  that is negative in  $\mathcal{R}_4$  and  $\alpha_6$  that is negative in  $\mathcal{R}_1$ .
- (b) Is a TN sequence in the strip  $\mathcal{R}_2 \cup \mathcal{R}_3$ . Excluding  $\alpha_2 = 0$ , the sequence is TP.

(ii) For the AKV sequence  $\{\tilde{\alpha}_n\}_{n \in \mathbb{N}}$ , we have

- (a) In the region  $\mathcal{R}$  the sequence is TP but for  $\tilde{\alpha}_2$  that is negative in  $\mathcal{R}_1 \cup \mathcal{R}_2$ ,  $\tilde{\alpha}_8$  that is negative in  $\mathcal{R}_1$  and  $\tilde{\alpha}_3$  that is negative in  $\mathcal{R}_4$ .
- (b) Is a TP sequence in the half strip  $\mathcal{R}_3$ .

**Proof** For the first set of bidiagonal parameters  $\{\alpha_n\}_{n \in \mathbb{N}}$ , we check that all are positive in  $\mathcal{R}$ , but for  $\alpha_2 = 0$  and  $\alpha_5, \alpha_6$ . From direct inspection we get that  $\alpha_5 < 0$  when  $1 + \alpha - \beta < 0$ , i.e. in region  $\mathcal{R}_4$  and  $\alpha_6 < 0$  when  $1 - \alpha + \beta < 0$ , i.e. in region  $\mathcal{R}_1$ . Hence, the sequence  $\{\alpha_n\}_{n=1}^\infty$  is a TN sequence, TP but for  $\alpha_2 = 0$ , in region  $\mathcal{R}_2 \cup \mathcal{R}_3$ , is TN in  $\mathcal{R}$  but for  $\alpha_5$  in  $\mathcal{R}_4$  and TN in  $\mathcal{R}$  but for  $\alpha_6$  in  $\mathcal{R}_1$ . For the AKV parameters  $\{\tilde{\alpha}_n\}_{n \in \mathbb{N}}$ , all are positive in  $\mathcal{R}$ , but for  $\tilde{\alpha}_2, \tilde{\alpha}_8$  and  $\tilde{\alpha}_3$ . The entry  $\tilde{\alpha}_2 < 0$  when  $\alpha > \beta$ , that is in  $\mathcal{R}_1 \cup \mathcal{R}_2$ ,  $\tilde{\alpha}_8 < 0$  when  $1 - \alpha + \beta < 0$  i.e. in  $\mathcal{R}_1$  and  $\tilde{\alpha}_3$  when  $1 + \alpha - \beta < 0$ , i.e. in  $\mathcal{R}_4$ . □

**Lemma 3** For the two first subdiagonals of the lower triangular matrix  $L$  in the Gauss–Borel factorization of the Jacobi–Piñeiro’s Hessenberg recursion matrix  $T_{JP}$  we have

- (i) The sequence  $\{m_n\}_{n=1}^\infty$  is TP in the definition region  $\mathcal{R}$ .
- (ii) The sequence  $\{\ell_n\}_{n=1}^\infty$  is TP but for  $\ell_2$  ( $\ell_3$ ), that is negative in  $\mathcal{R}_4$  ( $\mathcal{R}_1$ ).

**Proof** From (19) and the first bidiagonal factorization we get that the lower triangular  $L$  has all its entries in the two first subdiagonals TP but for  $\ell_2$  ( $\ell_3$ ), that is negative in  $\mathcal{R}_4$  ( $\mathcal{R}_1$ ), and maybe  $m_5 = \alpha_5 + \alpha_6$ . Looking now at the AKV factorization we see that  $m_5 = \tilde{\alpha}_5 + \tilde{\alpha}_6 > 0$ . □

**Proposition 3** The Jacobi–Piñeiro’s recursion matrix satisfies:

- (i) Is oscillatory if and only if the parameters  $(\alpha, \beta)$  belong to the strip  $\mathcal{R}_2 \cup \mathcal{R}_3$ .
- (ii) Admits a positive bidiagonal factorization at least if the parameters belong to the lower half strip  $\mathcal{R}_3$ .
- (iii) The retraction of the complementary matrix  $T_{JP}^{(4)}$  ( $T_{JP}^{(5)}$ ), described in [6, Theorem 11] is oscillatory in the region  $\mathcal{R}_2 \cup \mathcal{R}_3 \cup \mathcal{R}_4$  ( $\mathcal{R}$ ).

**Proof** (i) It follows from Lemma 2.

- (ii) The AKV bidiagonal factorization sequence is TP in  $\mathcal{R}_3$ .
- (iii) We use the Gauss–Borel factorization of these retractions described in [6, Theorem 11], that we know have a bidiagonal factorization with TP sequences. □

**Remark 2** From the previous discussion of the Jacobi–Piñeiro’s recursion matrix it becomes clear that demanding the matrix to have a positive bidiagonal factorization is sufficient but not necessary to have spectral measures. In the natural region  $\mathcal{R}$  the

Jacobi–Piñeiro’s weights exist, are positive with support on  $[0, 1]$ . However, we know that it is an oscillatory matrix only in the strip  $\mathcal{R}_2 \cup \mathcal{R}_3$ . The associated matrix that is regular oscillatory in the natural region  $\mathcal{R}$  is the retracted complementary matrix  $T_{JP}^{(5)}$ . This observation leads to the question: Is it enough to have a spectral Favard theorem and positive measures that a retracted complementary matrix of the banded Hessenberg matrix is oscillatory?

### 3 Applications to Darboux transformations

#### 3.1 Darboux transformations of oscillatory banded Hessenberg matrices

We now show how our construction connects with those of the seminal paper [2] by Aptekarev, Kalyagin and Van Iseghem on genetic sums, vector convergents, Hermite–Padé approximants and Stieltjes problems, and with the Darboux–Christoffel transformations discussed in [4]. We identify the Darboux transformations of the oscillatory banded Hessenberg matrices with Christoffel transformations of the spectral measures. Recall that  $\nu$  is the initial condition given in Definition 2.

**Definition 4** (*Darboux transformed Hessenberg matrices*). Given an oscillatory banded lower Hessenberg matrix  $T$  and its bidiagonal factorization as in (2), we consider the semi-infinite matrices

$$\hat{T} := L_2 U L_1, \qquad \hat{\hat{T}} := U L_1 L_2.$$

We will refer to these matrices as the first and second Darboux transformations of the banded Hessenberg matrix  $T$ .

**Remark 3** These auxiliary matrices  $\hat{T}^{[N]}$  are not the  $m$ -th leading principal submatrix of the matrix  $\hat{T} := L_2 U L_1$ . The difference is in the last diagonal entry. The entries of  $\hat{T}$  are

$$\begin{cases} \hat{c}_n = \alpha_{3n+2} + \alpha_{3n+1} + \alpha_{3n}, \\ \hat{b}_n = \alpha_{3n}\alpha_{3n-1} + \alpha_{3n+1}\alpha_{3n-1} + \alpha_{3n}\alpha_{3n-2}, \\ \hat{a}_n = \alpha_{3n}\alpha_{3n-2}\alpha_{3n-4}, \end{cases} \tag{20}$$

All the entries of the  $(N + 1)$ -th leading principal submatrix of  $\hat{T}$  coincide with those of  $\hat{T}^{[N]}$  but for the last diagonal entry, as  $(\hat{T}^{[N]})_{N+1,N+1} = \alpha_{3N} + \alpha_{3N+1}$  while  $\hat{c}_{N+1} = \alpha_{3N} + \alpha_{3N+1} + \alpha_{3N+2}$ .

- Remark 4**
- i) From definition it is immediately checked that both Darboux transformed Hessenberg matrices has the same banded structure as  $T$ .
  - ii) For coefficients of the second Darboux transform  $\hat{\hat{T}}$  we have

$$\begin{cases} \hat{c}_n = \alpha_{3n+3} + \alpha_{3n+2} + \alpha_{3n+1}, \\ \hat{b}_n = \alpha_{3n+1}\alpha_{3n} + \alpha_{3n+2}\alpha_{3n} + \alpha_{3n+1}\alpha_{3n-1}, \\ \hat{a}_n = \alpha_{3n+1}\alpha_{3n-1}\alpha_{3n-3}. \end{cases}$$

iii) If  $T$  has a positive bidiagonal factorization, so that we can take  $\alpha_2 > 0$ , then the Darboux transforms  $\hat{T}, \hat{\hat{T}}$  are oscillatory.

Associated with these Hessenberg matrices we introduce the vectors of polynomials

$$\hat{B} := UB, \quad \hat{\hat{B}} = L_2\hat{B} := L_2UB. \tag{21}$$

Notice that  $\hat{B}_n$  and  $\hat{\hat{B}}_n$  are monic with  $\deg \hat{B}_n = \deg \hat{\hat{B}}_n = n + 1$ .

**Lemma 4** *We have*

$$L_1\hat{B} = xB. \tag{22}$$

**Proof** Equations (21) imply  $L_1\hat{B} = L_1L_2UB = TB = xB$ . □

**Proposition 4** *The eigenvalue properties  $\hat{T}\hat{B} = x\hat{B}$  and  $\hat{\hat{T}}\hat{\hat{B}} = x\hat{\hat{B}}$  are satisfied.*

**Proof** Equations (21) and (22) lead by direct computation to

$$\hat{T}\hat{B} = L_2UL_1\hat{B} = xL_2UB = x\hat{B}, \quad \hat{\hat{T}}\hat{\hat{B}} = UL_1L_2UB = UTB = xUB = x\hat{\hat{B}}.$$

□

Let us denote by  $\tilde{T}^{[n]}$  and  $\tilde{\tilde{T}}^{[n]}$  the  $(n + 1)$ -th leading principal submatrices of  $\hat{T}$  and  $\hat{\hat{T}}$ .

**Lemma 5** *The polynomials  $\hat{B}_n$  and  $\hat{\hat{B}}_n$  can be expressed as  $\hat{B}_n = x\tilde{B}_n$  and  $\hat{\hat{B}}_n = x\tilde{\tilde{B}}_n$ , with the monic polynomials  $\tilde{B}_n, \tilde{\tilde{B}}_n$  having degree  $n$ .*

**Proof** One has that  $\hat{B}_0 = \hat{\hat{B}}_0 = \alpha_1 + B_1 = \alpha_1 + x - c_0 = x$ . Then, as the sequences of polynomials are found by the recurrence determined by the banded Hessenberg matrices  $\hat{T}$  and  $\hat{\hat{T}}$ , respectively, we find that the desired result. □

We call these polynomials  $\tilde{B}_n$  and  $\tilde{\tilde{B}}_n$  as Darboux transformed polynomials of type II.

**Proposition 5** *The entries of the Darboux transformed polynomial sequences of type II*

$$\tilde{B} = \frac{1}{x}L_2UB, \quad \tilde{\tilde{B}} := \frac{1}{x}UB, \tag{23}$$

read

$$\tilde{B}_n = \frac{1}{x}(B_{n+1} + (\alpha_{3n+1} + \alpha_{3n})B_n + \alpha_{3n}\alpha_{3n-2}B_{n-1}), \quad \tilde{\tilde{B}}_n = \frac{1}{x}(B_{n+1} + \alpha_{3n+1}B_n) \tag{24}$$

where we take  $\alpha_k = 0$  for  $k \in \mathbb{Z}_-$ . The following determinantal expressions hold

$$\tilde{B}_{n+1} = \det(xI_{n+1} - \tilde{T}^{[n]}), \quad \tilde{\tilde{B}}_{n+1} = \det(xI_{n+1} - \tilde{\tilde{T}}^{[n]}).$$

**Proof** Equation (24) appears as the entries of the defining equations. The determinantal expressions follow from the fact that its expansions along the last row satisfy the recursion relations with adequate initial conditions.  $\square$

Following definitions given in (13) and (15) we consider similar objects in this context. That is, we denote by  $\tilde{T}^{[n,k]}$  ( $\tilde{\tilde{T}}^{[n,k]}$ ) the matrix obtained from  $\tilde{T}^{[n]}$  ( $\tilde{\tilde{T}}^{[n]}$ ) by erasing the first  $k$  rows and columns. The corresponding characteristic polynomials are

$$\tilde{B}_{n+1}^{[k]} = \det(xI_{n+1-k} - \tilde{T}^{[n,k]}), \quad \tilde{\tilde{B}}_{n+1}^{[k]} = \det(xI_{n+1-k} - \tilde{\tilde{T}}^{[n,k]}).$$

These polynomials  $\tilde{B}_n^{[k]}$  ( $\tilde{\tilde{B}}_n^{[k]}$ ) satisfy the same recursion relations, determined by  $\tilde{T}$  ( $\tilde{\tilde{T}}$ ) as do  $\tilde{B}_n$  ( $\tilde{\tilde{B}}_n$ ) but with different initial conditions. Following ii) in Proposition 1 we have the transformed recursion polynomials of type II

$$\tilde{B}_{n+1}^{(1)} = \tilde{B}_{n+1}^{[1]}, \quad \tilde{\tilde{B}}_{n+1}^{(1)} = \tilde{\tilde{B}}_{n+1}^{[1]}, \quad \tilde{B}_{n+1}^{(2)} = \tilde{B}_{n+1}^{[2]} - \nu\tilde{B}_{n+1}^{[1]}, \quad \tilde{\tilde{B}}_{n+1}^{(2)} = \tilde{\tilde{B}}_{n+1}^{[2]} - \nu\tilde{\tilde{B}}_{n+1}^{[1]}.$$

Then we consider the following vectors of polynomials

$$\hat{B}_{n+1}^{(1)} = x\tilde{B}_{n+1}^{(1)}, \quad \hat{\tilde{B}}_{n+1}^{(1)} = x\tilde{\tilde{B}}_{n+1}^{(1)}, \quad \hat{B}_{n+1}^{(2)} = x\tilde{B}_{n+1}^{(2)}, \quad \hat{\tilde{B}}_{n+1}^{(2)} = x\tilde{\tilde{B}}_{n+1}^{(2)}.$$

**Proposition 6** (Vector Convergents) *These recursion polynomials correspond to the vector convergent  $y_n^1 = (A_{n,0}, A_{n,1}, A_{n,2})$  discussed in [2] as follows*

$$\begin{aligned} B_n &= A_{3n,0}, & \hat{B}_n &= A_{3n+1,0}, & \hat{\hat{B}}_n &= A_{3n+2,0}, \\ B_n^{(1)} &= A_{3n,1}, & \hat{B}_n^{(1)} &= A_{3n+1,1}, & \hat{\hat{B}}_n^{(1)} &= A_{3n+2,1}, \\ -\frac{1}{\nu}B_n^{(2)} &= A_{3n,2}, & -\frac{1}{\nu}\hat{B}_n^{(2)} &= A_{3n+1,2}, & -\frac{1}{\nu}\hat{\hat{B}}_n^{(2)} &= A_{3n+2,2}, \end{aligned}$$

**Proof** It follows from the fact that they satisfy the recursion relation [2, Equation (23)] and adequate initial conditions.  $\square$

Then, following this dictionary the important [2, Lemma 5] states for  $x \geq 0$  that

$$\begin{aligned} \left| \begin{matrix} \hat{B}_n & \hat{B}_n^{(1)} \\ B_n & B_n^{(1)} \end{matrix} \right| &\leq 0, & \left| \begin{matrix} \hat{B}_n & \hat{B}_n^{(2)} \\ B_n & B_n^{(2)} \end{matrix} \right| &\leq 0, & \left| \begin{matrix} \hat{B}_n & \hat{B}_n^{(1)} \\ B_n & B_n^{(1)} \end{matrix} \right| &\leq 0, & \left| \begin{matrix} \hat{B}_n & \hat{B}_n^{(2)} \\ B_n & B_n^{(2)} \end{matrix} \right| &\leq 0, \\ \left| \begin{matrix} \hat{B}_n & \hat{B}_n^{(1)} \\ \hat{B}_n & \hat{B}_n^{(1)} \end{matrix} \right| &\leq 0, & \left| \begin{matrix} \hat{B}_n & \hat{B}_n^{(2)} \\ \hat{B}_n & \hat{B}_n^{(2)} \end{matrix} \right| &\leq 0, & \left| \begin{matrix} B_{n+1} & B_{n+1}^{(1)} \\ \hat{B}_n & \hat{B}_n^{(1)} \end{matrix} \right| &\leq 0, & \left| \begin{matrix} B_{n+1} & B_{n+1}^{(2)} \\ \hat{B}_n & \hat{B}_n^{(2)} \end{matrix} \right| &\leq 0, \\ \left| \begin{matrix} B_{n+1} & B_{n+1}^{(1)} \\ \hat{B}_n & \hat{B}_n^{(1)} \end{matrix} \right| &\leq 0, & \left| \begin{matrix} B_{n+1} & B_{n+1}^{(2)} \\ \hat{B}_n & \hat{B}_n^{(2)} \end{matrix} \right| &\leq 0, & \left| \begin{matrix} \hat{B}_{n+1} & \hat{B}_{n+1}^{(1)} \\ \hat{B}_n & \hat{B}_n^{(1)} \end{matrix} \right| &\leq 0, & \left| \begin{matrix} \hat{B}_{n+1} & \hat{B}_{n+1}^{(2)} \\ \hat{B}_n & \hat{B}_n^{(2)} \end{matrix} \right| &\leq 0. \end{aligned}$$

**Remark 5** Using these facts, Aptekarev, Kalyagin and Van Iseghem in [2, Lemmata 6 & 7] deduce the degree of polynomials, simplicity of zeros and interlacing properties of  $B_n$  with  $B_{n-1}$ ,  $B_n^{(1)}$  and  $B_n^{(2)}$ . Notice that we derive the same result by just using the spectral properties of regular oscillatory matrices.

For recursion polynomials of type I, we introduce the following polynomials  $\hat{A}^{(2)} := A^{(1)}L_1$ ,  $\hat{A}^{(1)} := A^{(2)}L_1$ ,  $\hat{A}^{(1)} := A^{(1)}L_1L_2$  and  $\hat{A}^{(2)} := A^{(2)}L_1L_2$ .

**Proposition 7** Vectors  $\hat{A}^{(1)}$ ,  $\hat{A}^{(2)}$  are left eigenvectors of  $\hat{T}$  and  $\hat{A}^{(1)}$ ,  $\hat{A}^{(2)}$  are left eigenvectors of  $\hat{T}$ .

**Proof** A direct computation shows that  $\hat{A}^{(2)}\hat{T} = A^{(1)}L_1L_2UL_1 = A^{(1)}TL_1 = xA^{(1)}L_1 = x\hat{A}^{(2)}$ . The other cases are proven similarly.  $\square$

**Lemma 6** Let us assume that  $1 + \alpha_2\nu = 0$ . Then,  $\hat{A}_0^{(2)} = 0$  and  $\hat{A}_1^{(2)} = \frac{1}{\alpha_3\alpha_1}x$ .

**Proof** Let us consider the vector  $\hat{A}^{(2)} = A^{(1)}L_1$  with components  $\hat{A}_n^{(2)} = A_n^{(1)} + \alpha_{3n+2}A_{n+1}^{(1)}$ ,  $n \in \mathbb{N}_0$ . The first two entries are

$$\begin{aligned} \hat{A}_0^{(2)} &= A_0^{(1)} + \alpha_2A_1^{(1)} = 1 + \alpha_2\nu, \\ \hat{A}_1^{(2)} &= A_1^{(1)} + \alpha_5A_2^{(1)} = \nu - \alpha_5\frac{c_0 + b_1\nu}{a_2} + \frac{\alpha_5}{a_2}x = \nu - \alpha_5\frac{\alpha_1 + (\alpha_3 + \alpha_2)\alpha_1\nu}{\alpha_5\alpha_3\alpha_1} + \frac{\alpha_5}{\alpha_5\alpha_3\alpha_1}x \\ &= -\frac{1 + \alpha_2\nu}{\alpha_3} + \frac{1}{\alpha_3\alpha_1}x. \end{aligned}$$

Here we have used Definition 2 and  $c_0 = \alpha_1$ ,  $b_1 = (\alpha_3 + \alpha_2)\alpha_1$  and  $a_2 = \alpha_5\alpha_3\alpha_1$ . Then, as  $1 + \alpha_2\nu = 0$ , we find the stated result.  $\square$

**Proposition 8** If  $1 + \nu\alpha_2 = 0$ , we can write  $\hat{A}_n^{(2)} = x\tilde{A}_n^{(2)}$  and  $\hat{A}_n^{(1)} = x\tilde{A}_n^{(1)}$ , for some polynomials  $\tilde{A}_n^{(2)}$ ,  $\tilde{A}_n^{(1)}$ .

**Proof** The recursion relation  $\hat{c}_0\hat{A}_0^{(2)} + \hat{b}_1\hat{A}_1^{(2)} + \hat{a}_2\hat{A}_2^{(2)} = x\hat{A}_0^{(2)}$  and Lemma 6 gives  $\hat{A}_2^{(2)} = -\frac{\hat{b}_1}{\hat{a}_2\alpha_3\alpha_1}x$ . Hence, induction leads to the conclusion that  $\hat{A}_n^{(2)} = x\tilde{A}_n^{(2)}$ , for some polynomial  $\tilde{A}_n^{(2)}$ .  $\square$

**Lemma 7** We have  $\hat{A}_0^{(2)} = 0$  and  $\hat{A}_1^{(2)} = \frac{1}{\alpha_4}x$ .

**Proof** Let us consider the vector  $\hat{A}^{(1)} = A^{(2)}L_1$  with components  $\hat{A}_n^{(1)} = A_n^{(2)} + \alpha_{3n+2}A_{n+1}^{(2)}$ ,  $n \in \mathbb{N}_0$ . The first three entries are

$$\begin{aligned} \hat{A}_0^{(1)} &= A_0^{(2)} + \alpha_2 A_1^{(2)} = \alpha_2, \\ \hat{A}_1^{(1)} &= A_1^{(2)} + \alpha_5 A_2^{(2)} = 1 - \alpha_5 \frac{b_1}{a_2} = 1 - \alpha_5 \frac{(\alpha_3 + \alpha_2)\alpha_1}{\alpha_5 \alpha_3 \alpha_1} = -\frac{\alpha_2}{\alpha_3}, \\ \hat{A}_2^{(1)} &= A_2^{(2)} + \alpha_8 A_3^{(2)} = -\frac{b_1}{a_2} + \frac{\alpha_8}{a_3} \left( b_2 \frac{b_1}{a_2} + x - c_1 \right) = \frac{b_1}{a_2} \left( \frac{\alpha_8 b_2}{a_3} - 1 \right) - \frac{\alpha_8 c_1}{a_3} + \frac{\alpha_8}{a_3} x \\ &= \frac{\alpha_3 + \alpha_2}{\alpha_5 \alpha_3} \left( \frac{\alpha_6 \alpha_4 + \alpha_5 \alpha_4 + \alpha_5 \alpha_3}{\alpha_6 \alpha_4} - 1 \right) - \frac{\alpha_4 + \alpha_3 + \alpha_2}{\alpha_6 \alpha_4} + \frac{1}{\alpha_6 \alpha_4} x \\ &= \frac{\alpha_3 + \alpha_2}{\alpha_5 \alpha_3} \frac{\alpha_5 \alpha_4 + \alpha_5 \alpha_3}{\alpha_6 \alpha_4} - \frac{\alpha_4 + \alpha_3 + \alpha_2}{\alpha_6 \alpha_4} + \frac{1}{\alpha_6 \alpha_4} x \\ &= \frac{1}{\alpha_6 \alpha_4} \left( \frac{\alpha_3 + \alpha_2}{\alpha_3} (\alpha_4 + \alpha_3) - \alpha_4 - \alpha_3 - \alpha_2 + x \right) \\ &= \frac{\alpha_2}{\alpha_6 \alpha_3} + \frac{1}{\alpha_6 \alpha_4} x. \end{aligned}$$

Then, we consider  $\hat{A}^{(2)} = \hat{A}^{(1)}L_2$  with components  $\hat{A}_n^{(2)} = \hat{A}_n^{(1)} + \alpha_{3n+3}\hat{A}_{n+1}^{(1)}$ ,  $n \in \mathbb{N}_0$ . The first two components being

$$\begin{aligned} \hat{A}_0^{(2)} &= \hat{A}_0^{(1)} + \alpha_3 \hat{A}_1^{(1)} = \alpha_2 + \alpha_3 \left( -\frac{\alpha_2}{\alpha_3} \right) = 0, \\ \hat{A}_1^{(2)} &= \hat{A}_1^{(1)} + \alpha_6 \hat{A}_2^{(1)} = -\frac{\alpha_2}{\alpha_3} + \alpha_6 \left( \frac{\alpha_2}{\alpha_6 \alpha_3} + \frac{1}{\alpha_6 \alpha_4} x \right) = \frac{1}{\alpha_4} x, \end{aligned}$$

and the result follows. □

**Proposition 9** There are polynomials  $\tilde{A}_n^{(2)}$  such that  $\hat{A}_n^{(2)} = x \tilde{A}_n^{(2)}$ .

**Proof** It holds for the two first entries  $\hat{A}_0^{(2)}$  and  $\hat{A}_1^{(2)}$ . Hence, from the recursion relation  $\hat{A}^{(2)}\hat{T} = x\hat{A}^{(2)}$  we get that it holds for any natural number  $n$ . □

We name the polynomials  $\hat{A}_n^{(1)}$ ,  $\tilde{A}_n^{(1)}$ ,  $\tilde{A}_n^{(2)}$  and  $\tilde{A}_n^{(2)}$  as Darboux transformed polynomials of type I.

**Proposition 10** Let us assume that  $1 + v\alpha_2 = 0$ . The entries of the Darboux transformed polynomials sequences of type I

$$\tilde{A}^{(2)} = \frac{1}{x}A^{(1)}L_1, \quad \tilde{A}^{(1)} = \frac{1}{x}A^{(1)}L_1L_2, \quad \hat{A}^{(1)} = A^{(2)}L_1, \quad \tilde{A}^{(2)} = \frac{1}{x}A^{(2)}L_1L_2$$

are given by

$$\begin{aligned}\tilde{A}_n^{(2)} &= \frac{1}{x} (A_n^{(1)} + \alpha_{3n+2} A_{n+1}^{(1)}), \\ \tilde{\tilde{A}}_n^{(1)} &= \frac{1}{x} (A_n^{(1)} + (\alpha_{3n+2} + \alpha_{3n+3}) A_{n+1}^{(1)} + \alpha_{3n+5} \alpha_{3n+3} A_{n+2}^{(1)}), \\ \hat{A}_n^{(1)} &= A_n^{(2)} + \alpha_{3n+2} A_{n+1}^{(2)}, \\ \tilde{\tilde{A}}_n^{(2)} &= \frac{1}{x} (A_n^{(2)} + (\alpha_{3n+2} + \alpha_{3n+3}) A_{n+1}^{(2)} + \alpha_{3n+5} \alpha_{3n+3} A_{n+2}^{(2)}).\end{aligned}$$

### 3.2 Spectral representation and Christoffel transformations

We identify the entries in the bidiagonal factorization (2) with simple rational expressions in terms of the recursion polynomials evaluated at the origin.

**Theorem 2** (Parametrization of the bidiagonal factorization) *The  $\alpha$ 's in the bidiagonal factorization (2) can be expressed in terms of the recursion polynomials evaluated at  $x = 0$  as follows:*

$$\alpha_{3n+1} = -\frac{B_{n+1}(0)}{B_n(0)}, \quad (25)$$

$$\alpha_{3n+2} = -\frac{A_n^{(1)}(0)}{A_{n+1}^{(1)}(0)}, \quad 1 + \nu\alpha_2 = 0 \text{ is required}, \quad (26)$$

$$\alpha_{3n+3} = -\frac{A_n^{(1)}(0)A_{n+1}^{(2)}(0) - A_{n+1}^{(1)}(0)A_n^{(2)}(0)}{A_{n+1}^{(1)}(0)A_{n+2}^{(2)}(0) - A_{n+2}^{(1)}(0)A_{n+1}^{(2)}(0)} \frac{A_{n+2}^{(1)}(0)}{A_{n+1}^{(1)}(0)}. \quad (27)$$

*The relations*

$$[\alpha_{3n+2} + \alpha_{3n+3} \quad \alpha_{3n+5}\alpha_{3n+3}] = - \left[ A_n^{(1)}(0) \quad A_n^{(2)}(0) \right] \left[ \begin{array}{cc} A_{n+1}^{(1)}(0) & A_{n+1}^{(2)}(0) \\ A_{n+2}^{(1)}(0) & A_{n+2}^{(2)}(0) \end{array} \right]^{-1} \quad (28)$$

*are satisfied as well.*

**Proof** Equation (21) and the fact that  $\hat{B}(0) = 0$  gives that  $UB(0) = 0$ . Hence, we get  $\alpha_{3n+1}B_n(0) + B_{n+1}(0) = 0$  and (25) follow. Now, as  $\hat{A}^{(1)} = A^{(1)}L_1$  and  $\hat{A}^{(1)}(0) = 0$  implies  $A^{(1)}(0)L_1 = 0$ . Hence,  $A_n^{(1)}(0) + A_{n+1}^{(1)}(0)\alpha_{3n+2} = 0$  and we find (26). To prove (28) we observe that

$$\begin{aligned}A_n^{(1)}(0) + (\alpha_{3n+2} + \alpha_{3n+3})A_{n+1}^{(1)}(0) + \alpha_{3n+5}\alpha_{3n+3}A_{n+2}^{(1)}(0) &= 0, \\ A_n^{(2)}(0) + (\alpha_{3n+2} + \alpha_{3n+3})A_{n+1}^{(2)}(0) + \alpha_{3n+5}\alpha_{3n+3}A_{n+2}^{(2)}(0) &= 0,\end{aligned}$$

so that

$$\left[ A_n^{(1)}(0) \quad A_n^{(2)}(0) \right] + [\alpha_{3n+2} + \alpha_{3n+3} \quad \alpha_{3n+5}\alpha_{3n+3}] \left[ \begin{array}{cc} A_{n+1}^{(1)}(0) & A_{n+1}^{(2)}(0) \\ A_{n+2}^{(1)}(0) & A_{n+2}^{(2)}(0) \end{array} \right] = 0,$$

and Eq. (28) follows.

This equation implies component-wise the following relations

$$\alpha_{3n+2} + \alpha_{3n+3} = -\frac{A_n^{(1)}(0)A_{n+2}^{(2)}(0) - A_{n+2}^{(1)}(0)A_n^{(2)}(0)}{A_{n+1}^{(1)}(0)A_{n+2}^{(2)}(0) - A_{n+2}^{(1)}(0)A_{n+1}^{(2)}(0)},$$

$$\alpha_{3n+5}\alpha_{3n+3} = -\frac{A_{n+1}^{(1)}(0)A_n^{(2)}(0) - A_n^{(1)}(0)A_{n+1}^{(2)}(0)}{A_{n+1}^{(1)}(0)A_{n+2}^{(2)}(0) - A_{n+2}^{(1)}(0)A_{n+1}^{(2)}(0)}.$$

Thus, we get Eq. (27). □

With the previous identification we are ready to show the complete correspondence of the described Darboux transformations of the oscillatory banded Hessenberg matrix  $T$  with Christoffel perturbations of the corresponding pair of positive Lebesgue–Stieltjes measures  $(d\psi_1, d\psi_2)$ .

**Theorem 3** (Darboux vs Christoffel transformations) *For  $\alpha_2 = -\frac{1}{v} > 0$ , the multiple orthogonal polynomial sequences  $\{\tilde{B}_n, \hat{A}_n^{(1)}, \tilde{A}_n^{(2)}\}_{n=0}^\infty$  and  $\{\tilde{\tilde{B}}_n, \tilde{\tilde{A}}_n^{(1)}, \tilde{\tilde{A}}_n^{(2)}\}_{n=0}^\infty$  correspond to the Christoffel transformations given in [4, Theorems 4 & 6] of the multiple orthogonal polynomial sequence  $\{B_n, A_n^{(1)}, A_n^{(2)}\}_{n=0}^\infty$ . If the original couple of Lebesgue–Stieltjes measures is  $(d\psi_1, d\psi_2)$ , then the corresponding transformed pairs of measures are  $(d\psi_2, x d\psi_1)$  and  $(x d\psi_1, x d\psi_2)$ , respectively.*

**Proof** Recalling (26), that  $c_n = \alpha_{3n+1} + \alpha_{3n} + \alpha_{3n-1}$  and that  $a_{n+1} = \alpha_{3n+2}\alpha_{3n}\alpha_{3n-2}$  we write

$$\alpha_{3n+1} + \alpha_{3n} = \frac{A_{n-1}^{(1)}(0)}{A_n^{(1)}(0)} + c_n, \quad \alpha_{3n}\alpha_{3n-2} = -\frac{A_{n+1}^{(1)}(0)}{A_n^{(1)}(0)} a_{n+1}.$$

Then, using Theorem 2 and the first equation in (24) we get

$$\tilde{B}_n = \frac{1}{x} \left( B_{n+1} + \left( \frac{A_{n-1}^{(1)}(0)}{A_n^{(1)}(0)} + c_n \right) B_n - \frac{A_{n+1}^{(1)}(0)}{A_n^{(1)}(0)} a_{n+1} B_{n-1} \right),$$

$$\hat{A}_n^{(1)} = A_n^{(2)} - \frac{A_n^{(1)}(0)}{A_{n+1}^{(1)}(0)} A_{n+1}^{(2)},$$

$$\tilde{A}_n^{(2)} = \frac{1}{x} \left( A_n^{(1)} - \frac{A_n^{(1)}(0)}{A_{n+1}^{(1)}(0)} A_{n+1}^{(1)} \right).$$

These three equations are the Christoffel formulas in [4, Theorem 4] for the permuting Christoffel transformation  $(d\psi_1, d\psi_2) \rightarrow (d\psi_2, x d\psi_1)$ . Also, using again Theorem 2, the second equation in (24) and (28) we get

$$\begin{aligned}\tilde{B}_n &= \frac{1}{x} \left( B_n - \frac{B_{n+1}(0)}{B_n(0)} B_{n+1} \right), \\ \tilde{A}_n^{(1)} &= \frac{1}{x} \left( A_n^{(1)} - \begin{bmatrix} A_n^{(1)}(0) & A_n^{(2)}(0) \end{bmatrix} \begin{bmatrix} A_{n+1}^{(1)}(0) & A_{n+2}^{(1)}(0) \\ A_{n+1}^{(2)}(0) & A_{n+2}^{(2)}(0) \end{bmatrix}^{-1} \begin{bmatrix} A_{n+1}^{(1)} \\ A_{n+2}^{(1)} \end{bmatrix} \right), \\ \tilde{A}_n^{(2)} &= \frac{1}{x} \left( A_n^{(2)} - \begin{bmatrix} A_n^{(1)}(0) & A_n^{(2)}(0) \end{bmatrix} \begin{bmatrix} A_{n+1}^{(1)}(0) & A_{n+2}^{(1)}(0) \\ A_{n+1}^{(2)}(0) & A_{n+2}^{(2)}(0) \end{bmatrix}^{-1} \begin{bmatrix} A_{n+1}^{(2)} \\ A_{n+2}^{(2)} \end{bmatrix} \right).\end{aligned}$$

These three equations are the Christoffel formulas in [4, Theorem 6] for the Christoffel transformation  $(d \psi_1, d \psi_2) \rightarrow (x d \psi_1, x d \psi_2)$ .  $\square$

## Conclusions and outlook

In this paper we have discussed examples of structured tetradiagonal matrices of oscillatory type connected to two families of multiple orthogonal polynomials and the possibility of having a positive bidiagonal factorization. Moreover, it has been shown the relation of Darboux transformations of this matrix and Christoffel formulas for Christoffel perturbations of corresponding multiple orthogonal polynomials.

Other open questions are:

- (i) What happens when the banded recursion matrix has several superdiagonals as well as subdiagonals? What about the corresponding Darboux transformations?
- (ii) Chebyshev (T) systems appear in [9] in relation with influence kernels and oscillatory matrices. Is there any connection between the AT property and the oscillation of the matrix or some submatrix of it?

**Author Contributions** All the authors have contribute equally.

**Funding** Open Access funding provided thanks to the CRUE-CSIC agreement with Springer Nature. Amílcar Branquinho thanks Centre for Mathematics of the University of Coimbra–UIDB/00324/2020 (funded by the Portuguese Government through FCT/MCTES) and co-funded by the European Regional Development Fund through the Partnership Agreement PT2020

Ana Foulquié acknowledges Center for Research & Development in Mathematics and Applications, supported through the Portuguese Foundation for Science and Technology (FCT– Fundação para a Ciência e a Tecnologia), references UIDB/ 04106/2020 and UIDP/04106/2020. Manuel Mañas: Thanks financial support from the Spanish “Agencia Estatal de Investigación” research project [PGC2018-096504-B-C33], *Ortogonalidad y Aproximación: Teoría y Aplicaciones en Física Matemática* and [PID2021- 122154NB-I00], *Ortogonalidad y Aproximación con Aplicaciones en Machine Learning y Teoría de la Probabilidad*.

**Availability of data and materials** This paper has no additional data or materials.

## Declarations

**Conflict of interest** The authors hereby declare to have no conflict of interest.

**Ethical approval** Not applicable.

**Open Access** This article is licensed under a Creative Commons Attribution 4.0 International License, which permits use, sharing, adaptation, distribution and reproduction in any medium or format, as long as you give appropriate credit to the original author(s) and the source, provide a link to the Creative Commons licence, and indicate if changes were made. The images or other third party material in this article are included in the article's Creative Commons licence, unless indicated otherwise in a credit line to the material. If material is not included in the article's Creative Commons licence and your intended use is not permitted by statutory regulation or exceeds the permitted use, you will need to obtain permission directly from the copyright holder. To view a copy of this licence, visit <http://creativecommons.org/licenses/by/4.0/>.

## References

1. Álvarez-Fernández, C., Fidalgo, U., Mañas, M.: Multiple orthogonal polynomials of mixed type: Gauss-Borel factorization and the multi-component 2D Toda hierarchy. *Adv. Math.* **227**, 1451–1525 (2011)
2. Aptekarev, A., Kaliaguine, V., Van Iseghem, J.: The genetic sums' representation for the moments of a system of Stieltjes functions and its application. *Constr. Approx.* **16**, 487–524 (2000)
3. Branquinho, A., Fernández-Díaz, J.E., Foulquié-Moreno, A., Mañas, M.: Hypergeometric multiple orthogonal polynomials and random walks. [arXiv:2107.00770](https://arxiv.org/abs/2107.00770)
4. Branquinho, A., Foulquié-Moreno, A., Mañas, M.: Multiple orthogonal polynomials: Pearson equations and Christoffel formulas. *Anal. Math. Phys.* **12**, 129 (2022)
5. Branquinho, A., Foulquié-Moreno, A., Mañas, M.: Oscillatory banded Hessenberg matrices, multiple orthogonal polynomials and random walks. [arXiv:2203.13578](https://arxiv.org/abs/2203.13578)
6. Branquinho, A., Foulquié-Moreno, A., Mañas, M.: Positive bidiagonal factorization of Tetradiagonal Hessenberg matrices. [arXiv:2210.10728](https://arxiv.org/abs/2210.10728)
7. Branquinho, A., Foulquié-Moreno, A., Mañas, M., Carlos, Á.-F., Fernández-Díaz, J.E.: Multiple orthogonal polynomials and random walks. [arXiv:2103.13715](https://arxiv.org/abs/2103.13715)
8. Fallat, S.M., Johnson, C.R.: *Totally Nonnegative Matrices*. Princeton Series in Applied Mathematics. Princeton University Press, Princeton (2011)
9. Gantmacher, F.P., Krein, M.G.: *Oscillation and Kernels and Small Vibrations of Mechanical Systems*, revised 2nd edn, AMS Chelsea Publishing, American Mathematical Society, Providence, Rhode Island
10. Horn, R.A., Johnson, C.R.: *Matrix Analysis*, Corrected reprint, 2nd edn. Cambridge University Press, Cambridge (2018)
11. Ismail, M.E.H.: *Classical and Quantum Orthogonal Polynomials in One Variable*, Encyclopedia of Mathematics and its Applications, vol. 98. Cambridge University Press, Cambridge (2009)
12. Lima, H., Loureiro, A.: Multiple orthogonal polynomials with respect to Gauss' hypergeometric function. *Stud. Appl. Math.* **148**, 154–185 (2022)
13. Mañas, M.: Revisiting biorthogonal polynomials. An LU factorization discussion in orthogonal polynomials: current trends and applications. In: Huertas, E., Marcellán, F. (eds.) SEMA SIMAI Springer Series, vol. 22, pp. 273–308. Springer, Berlin (2021)
14. Nikishin, E.M., Sorokin, V.N.: *Rational Approximations and Orthogonality*. Translations of Mathematical Monographs, vol. 92. American Mathematical Society, Providence (1991)
15. Pétréolle, M., Sokal, A.D., Zu, B.-X.: Lattice paths and branched continued fractions: an infinite sequence of generalizations of the Stieltjes–Rogers and Thron–Rogers polynomials, with coefficient wise Hankel-total positivity. To appear in *Memoirs of the American Mathematical Society* (2023). [arXiv:1807.03271v2](https://arxiv.org/abs/1807.03271v2) [math.CO] (2021)
16. Piñero, L. R.: On simultaneous approximations for a collection of Markov functions, *Vestnik Moskovskogo Universiteta, Seriya I* (2) (1987) 67–70 (in Russian); translated in *Moscow University Mathematical Bulletin* 42 (2) (1987) 52–55
17. Zhu, B.-X.: Coefficientwise Hankel-total positivity of row-generating polynomials for the m-Jacobi-Rogers triangle. [arXiv:2202.03793v1](https://arxiv.org/abs/2202.03793v1) [math.CO] (2022)

**Publisher's Note** Springer Nature remains neutral with regard to jurisdictional claims in published maps and institutional affiliations.